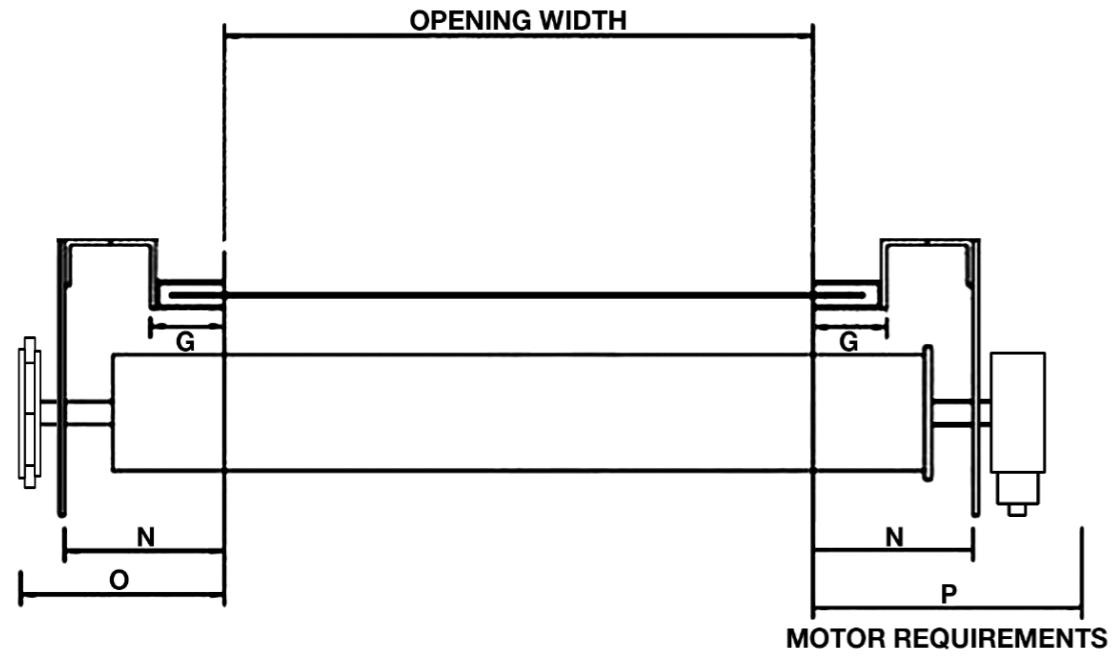
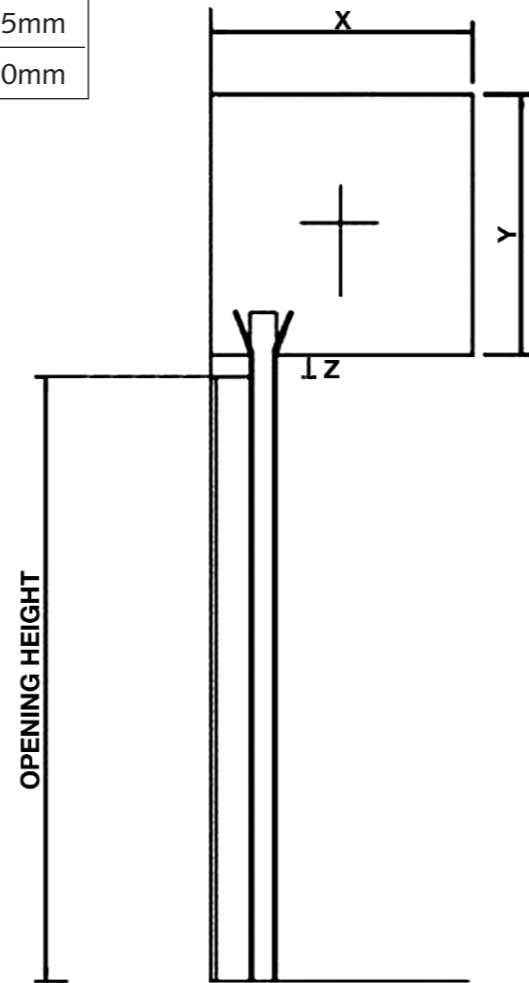


# roller shutter doors - safe drive



Opening Height	Side Room Required			
	G (Guide)	N	P	O
1500mm - 4500mm	75mm	155mm	380mm	215mm
4600mm - 7500mm	100mm	190mm	495mm	250mm

Opening Height	Coil Dimensions		
	X	Y	Z
Up to 3900mm	405mm	405mm	50mm(min)
4000mm - 4900mm	450mm	450mm	50mm(min)
5000mm - 6500mm	505mm	505mm	50mm(min)

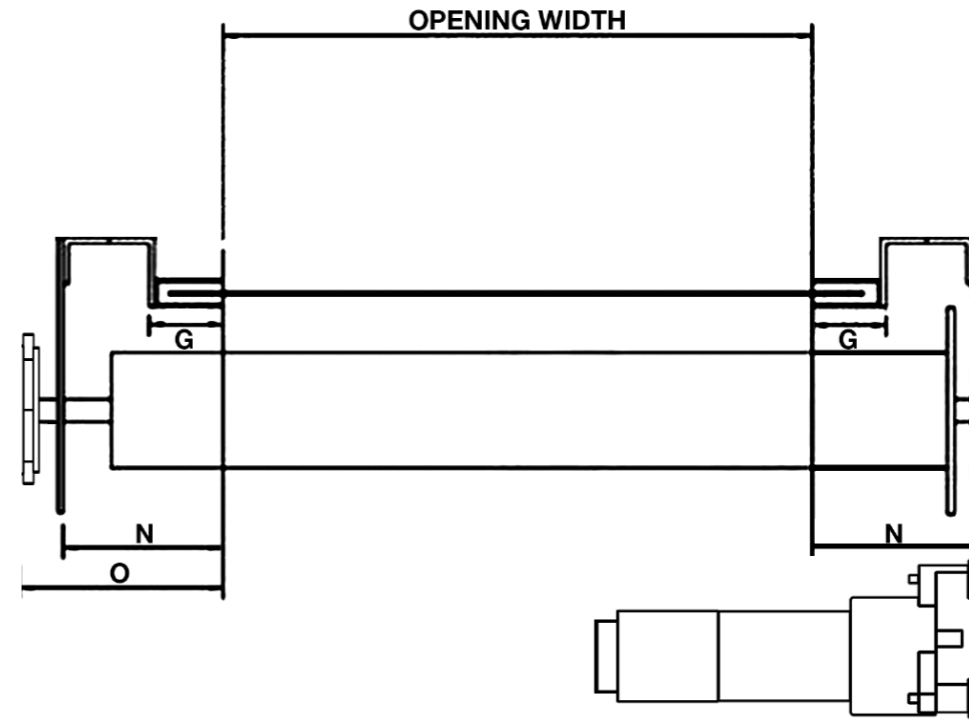


For any other size requirements, please contact our technical department.

E: sales @doorfix.ie  
www.doorfix.ie  
www.doorfix.co.uk

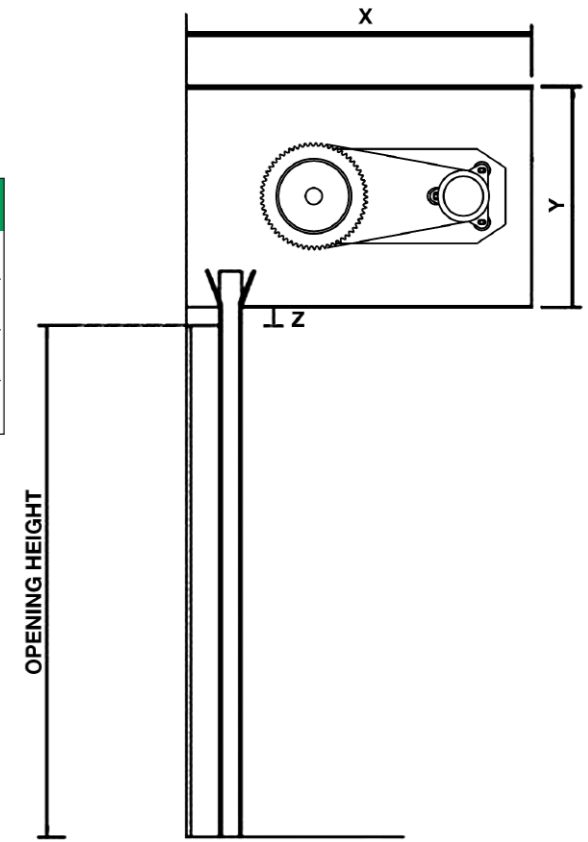


# roller shutter doors - jm unsprung



Opening Height	Side Room Required		
	G (Guide)	N	O
1500mm - 4500mm	75mm	155mm	215mm
4600mm - 7500mm	100mm	190mm	250mm

Opening Height	Coil Dimensions		
	X	Y	Z
Up to 3900mm	605mm	405mm	50mm(min)
4000mm - 4900mm	605mm	450mm	50mm(min)
5000mm - 6500mm	605mm	505mm	50mm(min)

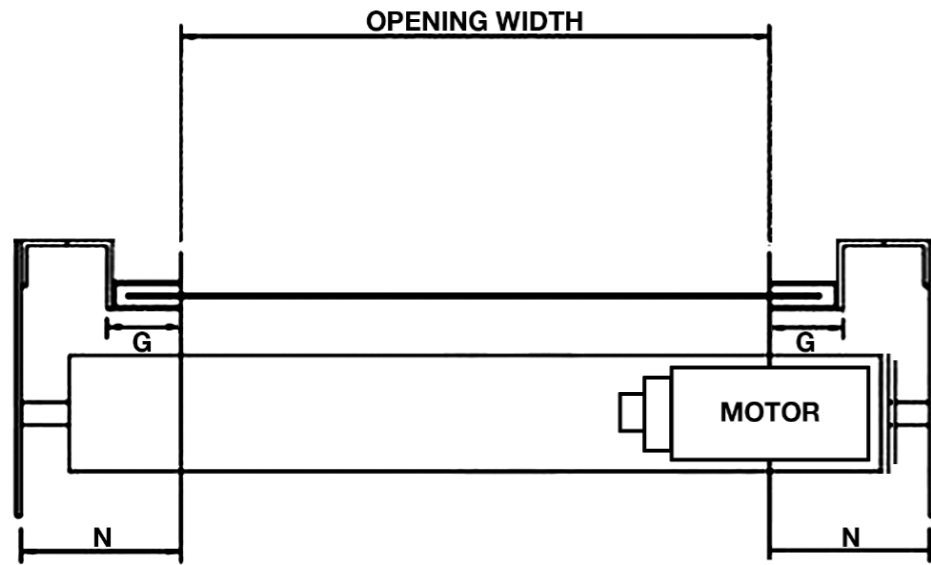


For any other size requirements, please contact our technical department.

E: sales @doorfix.ie  
www.doorfix.ie  
www.doorfix.co.uk

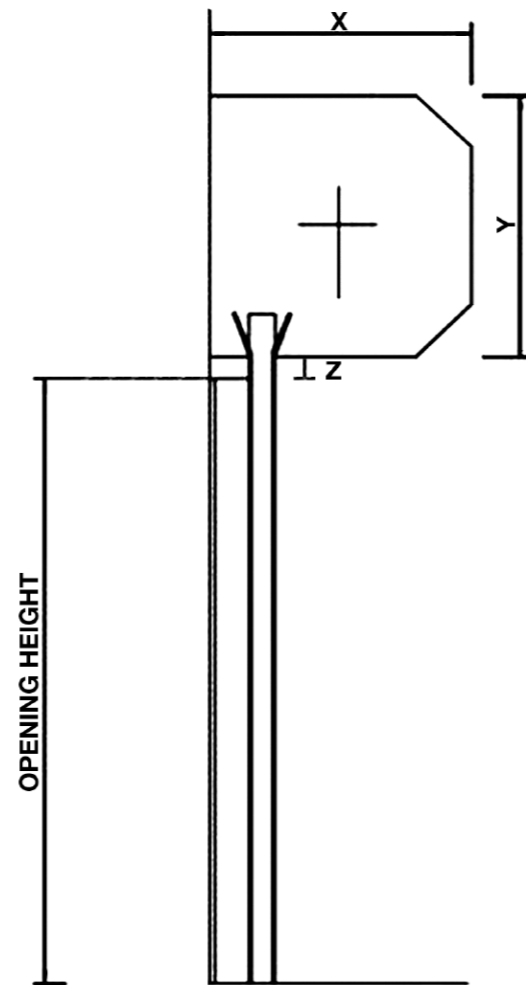


# roller shutter doors - tube motor



Opening Height	Side Room Required	
	G (Guide)	N
1500mm - 4500mm	75mm	155mm
4600mm - 7500mm	100mm	190mm

Opening Height	Coil Dimensions		
	X	Y	Z
Up to 2500mm	250mm	250mm	50mm(min)
2600mm - 3300mm	300mm	300mm	50mm(min)
3400mm - 4500mm	350mm	350mm	50mm(min)
4600mm - 6000mm	400mm	400mm	50mm(min)



For any other size requirements, please contact our technical department.

E: [sales@doorfix.ie](mailto:sales@doorfix.ie)  
[www.doorfix.ie](http://www.doorfix.ie)  
[www.doorfix.co.uk](http://www.doorfix.co.uk)



## industrial roller shutter doors

### Specification

#### Curtain

Shutter curtains are constructed from continuous interlocking galvanised steel laths (perforated lath available), securely held in place by end locks. Bottom rails are generally galvanised and roll-formed into a T-section.

#### Guides

Vertical guides are formed from rolled steel and supplied with fixing angles suitable for securing to the structure.

#### Endplates

Prime painted mild steel of appropriate thickness relative to door size and supplied with fixing angles suitable for securing to the structure.

#### Barrel

The barrel is constructed from seamless steel tube of adequate diameter to resist deflection and held in bearings or cups attached to the endplates.

#### Finish

Generally galvanised with non-galvanised parts prime painted. Steel laths available in:

- HP200 Plastisol finish in a range of colours
- Polyester powder coated in a range of BS/RAL colours to give a durable finish

#### Chain Operation

By means of continuous hand chain.

#### Electrical Operation

Operated by means of:

- 415v 3 phase Safe Drive Motor Unit with adjustable limit switches incorporated to stop the shutter at the end of each travel.
- 415v 3 phase/240v single phase JM Motor Unit with adjustable limit switches incorporated to stop the shutter at the end of each travel.
- 240v single phase Tube Motor Unit with adjustable limit switches incorporated to stop the shutter at the end of each travel.

#### Control Options

- Low level open/close/stop buttons
- Key switch
- Card Reader
- Induction Loop
- Radar (Motion Sensor)
- Radio Remote Control
- Timed automatic closing
- Various Safety Features

#### Maintenance

All our products are manufactured to a very high specification. However, planned maintenance can ensure trouble free operation.

Our Service Department can advise on a suitable maintenance agreement.